

# FE9180-H-v2

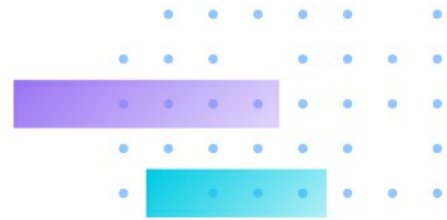
Fisheye Network Camera

---

5MP • 360° Fisheye • WDR Pro • Smart Stream III • SNV • Fisheye Dewarp

- H.265 Compression Technology
- 30 fps @ 1920x1920
- SNV (Supreme Night Visibility) for Low Light Conditions
- Smart Stream III to Optimize Bandwidth Efficiency
- WDR Pro for Improved Visibility in Extremely Bright and Dark Environments
- Built-in MicroSD/SDHC/SDXC Card Slot for On-board Storage
- Trend Micro IoT Security
- Built-in Microphone
- Local Dewarping





# Technical Specifications

## System Information

Model	FE9180-H-v2
CPU	Multimedia SoC (System-on-Chip)
Flash	128 MB
RAM	256 MB

## Camera Features

Image Sensor	1/2.7" Progressive CMOS in 2688x1944
Max. Resolution	1920x1920
Lens Type	Fixed-focal
Focal Length	f = 1.16 mm
Aperture	F2.25
Iris Type	Fixed iris
Field of View	180° (Horizontal) 180° (Vertical) 180° (Diagonal)
Shutter Time	1/5 sec. to 1/32,000 sec.
WDR Technology	WDR Pro
Day/Night	Yes
Removable IR-cut Filter	Yes
Minimum Illumination	0.05 lux @ F2.25 (Color) <0.005 lux @ F2.25 (B/W)
Pan/Tilt/Zoom Functionalities	ePTZ: 12x digital zoom (12x on IE plug-in)
Storage	Seamless Recording to MicroSD/SDHC/SDXC card and recording to network-attached storage (NAS)
Built-in Installation Aids	Pixel Calculator

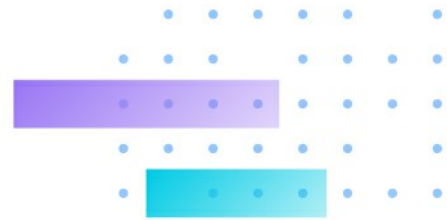
## Video

Video Compression	H.265, H.264, MJPEG
Maximum Frame Rate	24 fps @ 1920x1920 (WDR on) 30 fps @ 1920x1920 (WDR off)
Maximum Streams	4 video streams (Up to 9 configurable profiles)
S/N Ratio	63 dB
Dynamic Range	120 dB
Video Streaming	Adjustable resolution, quality and bit rate control, Smart Stream III
Image Settings	General settings: video title and time stamp overlay, video orientation (flip, mirror), day/night settings; Image settings: white balance, image adjustment (brightness, contrast, saturation, sharpness, gamma curve), defog, 3DNR; Exposure: BLC, HLC, exposure control, AE speed adjustment, WDR; Privacy mask; Scheduled profile settings; Pixel calculator
Display Mode	Client dewarping Ceiling mounted: 1O Fisheye, 1P Panoramic, 2P Two Panoramics, 1R One Region, 4R Four Regions, 1O3R One Fisheye Three Regions, 1O8R One Fisheye Eight Regions Wall mounted: 1O Fisheye, 1P Panoramic, 1R One Region, 4R Four Regions, 1P2R One Panoramic Two Regions, 1P3R One Panoramic Three Regions, 1O3R, One Fisheye Three Regions  Local dewarping Ceiling mounted: 1O Fisheye, 1P Panoramic, 2P Two Panoramics, 1R One Region, 4R Four Regions Wall mounted: 1O Fisheye, 1P Panoramic, 1R One Region, 4R Four Regions

## Audio

Audio Capability	One-way Audio
Audio Compression	G.711, G.726
Audio Interface	Built-in microphone
Effective Range	5 meters

## Network



Users	Live viewing for up to 10 clients
Security	Access list, digest authentication, HTTPS, IEEE 802.1x, password protection, signed firmware, Trend Micro IoT Security (brute force attack event, cyberattack event, quarantine event), user access log, user account management
Protocols	802.1X, ARP, Bonjour, CIFS/SMB, DDNS, DHCP, DNS, FTP, HTTP, HTTPS, ICMP, IGMPv3, IPv4, IPv6, NTP, PPPoE, QoS (CoS/DSCP), RTSP/RTP/RTCP, SMTP, SNMP, SSL, TCP/IP, TLS 1.2, UDP, UPnP
Interface	10 Base-T/100 Base-TX Ethernet (RJ-45) *It is highly recommended to use standard CAT5e & CAT6 cables which are compliant with the 3P/ETL standard.
ONVIF	Profile G, S, T supported, specification available at <a href="http://www.onvif.org">www.onvif.org</a>

### Solution Integration

Video Motion Detection	Five-window video motion detection
VADP Package	Stratocast, Trend Micro IoT Security (1-year free trial), VIVOCLOUD

### Alarm and Event

Event Trigger	Audio detection, camera tampering detection, cybersecurity events (brute force attack event, cyberattack event, quarantine event), manual trigger, motion detection, periodical trigger, recording notification, SD card life expectancy, shock detection, system boot
Event Action	Event notification via email, HTTP, FTP, NAS server, SD card File upload via email, HTTP, FTP, NAS server, SD card, Camera Link

### General

Connectors	RJ-45 cable connector for 10/100Mbps PoE network connection
Power Input	IEEE 802.3af PoE Class 2
Power Consumption	Max. 4.6 W
Dimensions	Ø 94 x 35 mm
Weight	140 g
Certifications	EMC: CE (EN 55032 Class B, EN55024, EN50121-4), FCC (FCC Part 15 Subpart B Class B), RCM (AS/NZS CISPR 32 Class B), VCCI (VCCI-CISPR 32 Class B); Safety: UL (UL 62368-1), CB (IEC/EN 62368-1, IEC/EN 60950-22, IEC/EN 62471); IA: BIS (IS 13252), BSMI (EMC: CNS 13438, Safety: CNS 14336-1)
Operating Temperature	Starting Temperature: 0°C ~ 50°C (32°F ~ 122°F) Working Temperature: -10°C ~ 50°C (14°F ~ 122°F)
Humidity	90%
Warranty	36 months

### System Requirements

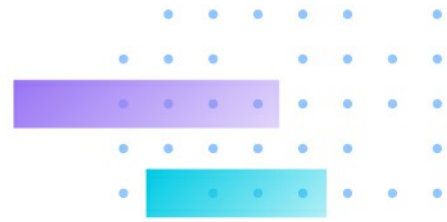
Operating System	Microsoft Windows 10/8/7 Mac 10.12 (Chrome only)
Web Browser	Chrome 58.0 or above Internet Explorer 10/11
Other Players	VLC: 1.1.11 or above

### Included Accessories

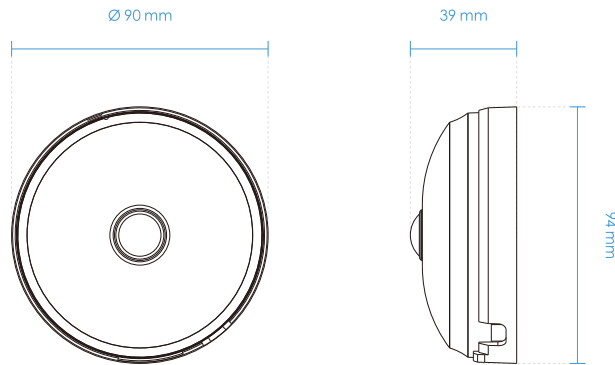
Packing Contents	Quick installation guide, alignment sticker, screw pack, mounting bracket
------------------	---

### DORI (EN 62676-4 Standard)

Detect (25PPM/ 8PPF)	31.4 m (103 ft)
Observe (63PPM/ 19PPF)	12.5 m (41 ft)
Recognize (125PPM/ 38PPF)	6.3 m (20.7 ft)
Identify (250PPM/ 76PPF)	3.1 m (10.2 ft)



## Dimensions



## Compatible Accessories

### Mounting Kits



AM-216  
Wall Mount Bracket (15°)

### Mounting Kits



AM-52B  
Mounting Adapter (3/4" NPT Female Connector)